

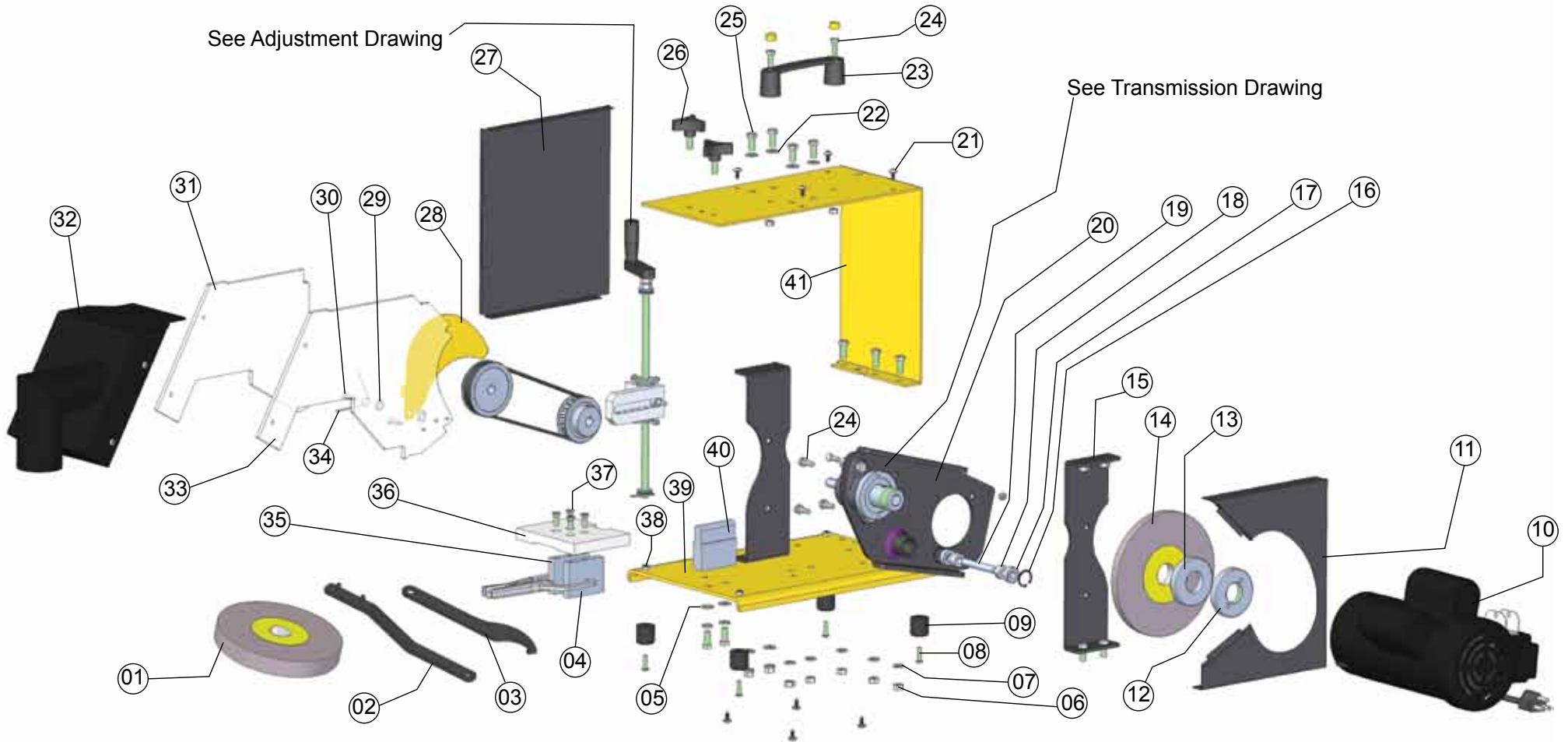


PARTS DIAGRAM FOR:

MAG-8000 Series Sharpener [gen4]

Covering Models manufactured from 08/2010 to 04/2011

In 08/2010 the major change made to the MAG-8000 was the "quick-change" grinding wheel system. The large lexan guards from gen3 were replaced with a half-guard made from metal - and the lexan portion was now attached to the grit guard. This allows access to the grinding wheel by removing 2 knobs and pulling the grit guard away - rather than the gen3 which 6 screws had to be removed to take off the guard to access the grinding wheel.



Magna-Matic Corporation - W4599 County Road IW - Waldo WI 53093 USA

Phone: (920) 564-2366 - FAX: (920) 564-2368 - Toll Free USA & Canada **1-800-328-1110**

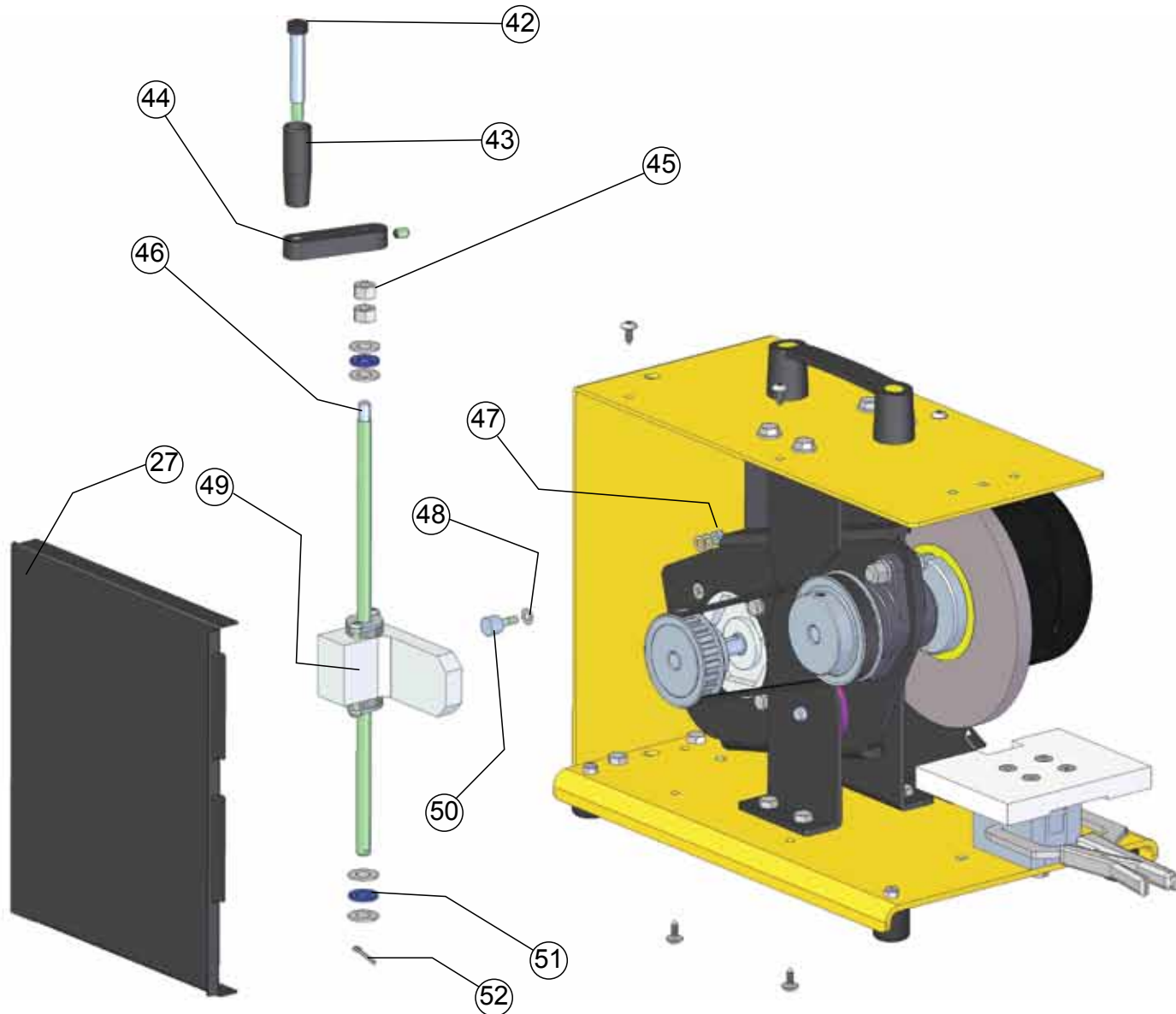
<http://www.magna-matic.com> - email: sales@magna-matic.com © Copyright 2010 All rights reserved



PARTS DIAGRAM FOR:

MAG-8000 Series Sharpener [gen4]

Covering Models manufactured from 08/2010 to 04/2011



Magna-Matic Corporation - W4599 County Road IW - Waldo WI 53093 USA

Phone: (920) 564-2366 - FAX: (920) 564-2368 - Toll Free USA & Canada **1-800-328-1110**

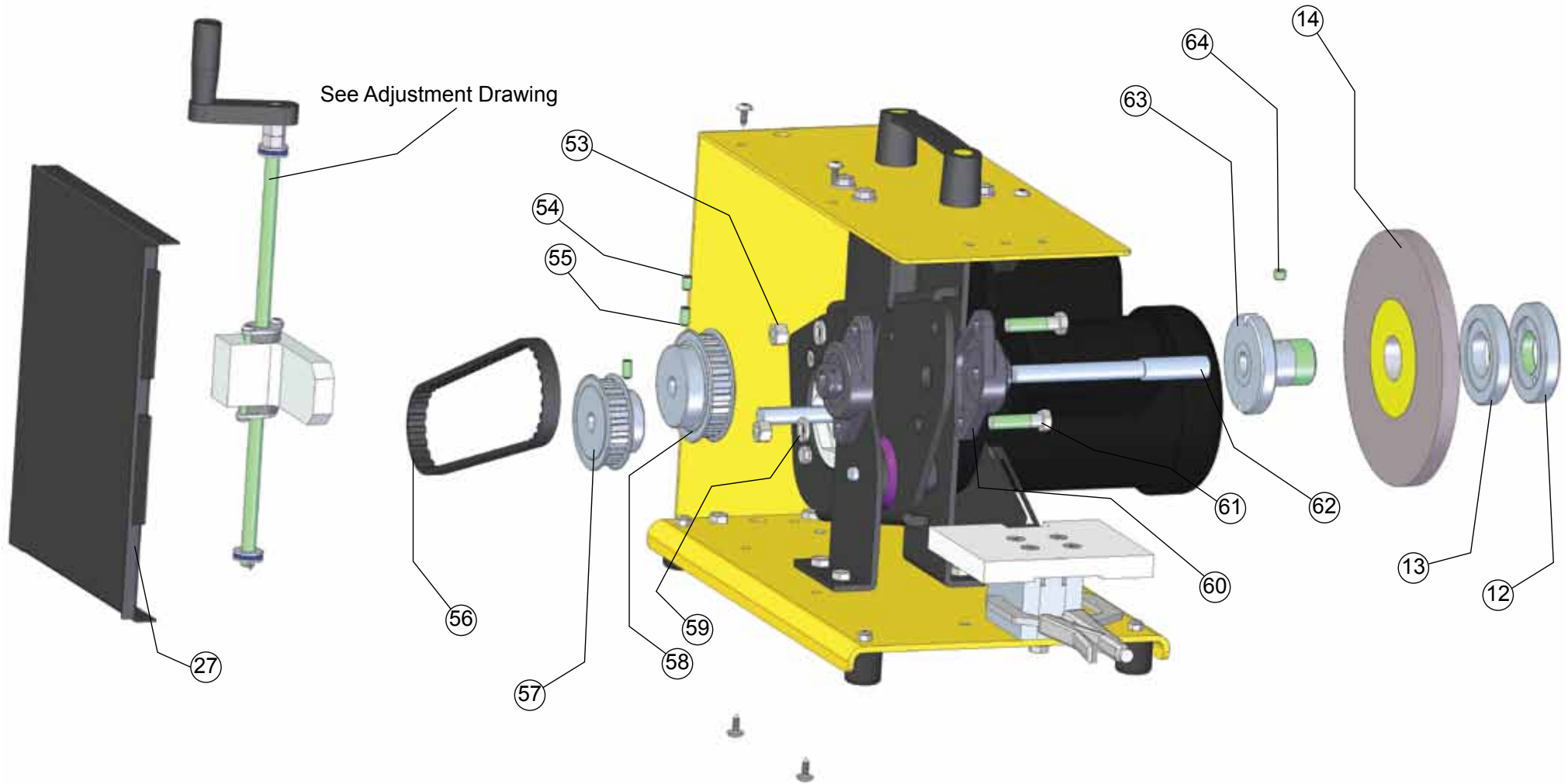
<http://www.magna-matic.com> - email: sales@magna-matic.com © Copyright 2010 All rights reserved



PARTS DIAGRAM FOR:

MAG-8000 Series Sharpener [gen4]

Covering Models manufactured from 08/2010 to 04/2011





PARTS DIAGRAM FOR:

MAG-8000 Series Sharpener [gen4]

Covering Models manufactured from 08/2010 to 04/2011

The MAG-8000 Universal Lawn Mower Blade Sharpener is the most advanced, highest performance, most patented lawn mower blade sharpener in the outdoor power equipment (OPE/Green) industry. The MAG-8000 is able to sharpen curved (mulching) edge blades by using a 1/2" wide grinding wheel and a curved worktable that follows the curvatures of the blade. This allows the MAG-8000 to keep the same angle along the length of the cutting edge. The MAG-8000 can quickly switch back to sharpening straight (conventional) edge blades with its flat mobile worktable which clamps over the mulching blade worktable.

Key #	Part #	Description
1	9000-35	Grinding wheel 1" wide
2	9000-21	Spanner wrench
3	9000-53	Arbor wrench
4	8000-02	Worktable leg with vice grip
5	H-31WFZ	5/16 flat washer (8)
6	H-31CNFZ	5/16-18 nut (11)
7	H-31WLZ	5/16 lock washer (13)
8	H-18C75BSSss	#10-24x3/4 screw (8)
9	9000-11	Rubber foot (4)
10	8000-25	1 hp motor
11	8000-56	Steel guard (motor-side)
12	9000-19	Arbor nut
13	8000-27	Arbor spacer (required for use with 1/2" wide grinding wheel)
14	8000-30	Grinding wheel 1/2" wide
15	8000-45	Pivot angle full-height (2)
16	1000-22	Retaining ring (2)
17	1000-23	Bearing (2)
18	1000-20	Bearing collar (2)
19	8000-36	Pivot shaft
20	8000-23	Pivot plate
21	H-18N50SPT-Z/A	#10 sheet metal screw (8)
22	H-31WFZ	5/16 flat washer (15)
23	9000-58	Carry handle
24	H-25C75HSZ	1/4-20x3/4 bolt (5)
25	H-31C75HSZ	5/16-18x3/4 bolt (13)
26	8000-60	Knob (2)
27	8000-54	Steel guard (pulley-side)
28	8000-58	Active guard
29	H-25WFZ	1/4" flat washer (2)

Key #	Part #	Description
30	H-25N050KSS	1/4-20 x 0.50 long shoulder bolt (3)
31	8000-55	Lexan guard (pulley-side)
32	8000-05	Grit guard
33	8000-57	Lexan guard (motor-side)
34	8000-59	Torsion spring
35	8000-04	Worktable leg without vice grip
36	8000-03	Flat worktable
37	H-25C75PFZ	1/4-20x3/4 screw (5)
38	H-18CNINFZ	#10-24 nylon nut (8)
39	8000-24	Bottom plate
40	8000-01	Rounded worktable
41	8000-20	Top plate

MAG-8000 Adjustment Parts Key

Key #	Part #	Description
42	H-37N200KSS	Shoulder bolt for crank handle
43	9000-14	Crank handle
44	9000-13	Crank base
45	H-37CNFZ	3/8-16 zinc nut (2)
46	9000-49	Threaded adjusting rod
47	H-18FNINFZ	#10-32 nylon nut
48	H-18WFZSS	#10 flat washer (3)
49	8000-46	Adjustment block
50	8000-47	Cam-follower
51	9000-37	Thrust bearing (2)
52	H-Cotter Pin	Cotter pin

MAG-8000 Transmission Parts Key

Key #	Part #	Description
53	H-37CNFZ	3/8-16 nut (2)
54	H-25C37SSS	1/4-20x3/8 set screw
55	H-25C50SSS	1/4-20x1/2 set screw (2)
56	8000-14	Timing belt
57	8000-13	20 tooth pulley
58	8000-15	24 tooth pulley
59	H-37WLZ	3/8 lock washer (2)
60	8000-09	Flange bearing (2)
61	H-37C150HSZ	3/8-16x1.5 bolt (2)
62	8000-07	Drive shaft
63	9000-20	Arbor
64	H-31F25SSS	5/16-24x1/4 set screw

Magna-Matic Corporation - W4599 County Road IW - Waldo WI 53093 USA

Phone: (920) 564-2366 - FAX: (920) 564-2368 - Toll Free USA & Canada **1-800-328-1110**

<http://www.magna-matic.com> - email: sales@magna-matic.com © Copyright 2010 All rights reserved