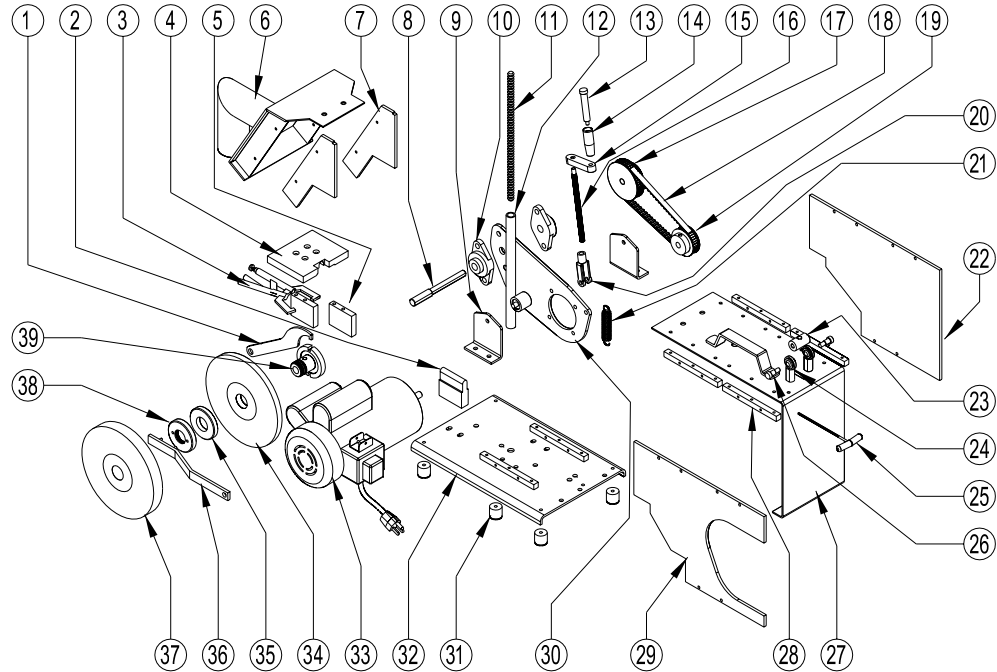


Parts Drawing for the MAG-8000 Series Universal Lawn Mower Blade Sharpener

Phone: 1-800-328-1110

www.magna-matic.com

Key	Part #s	Description
1	9000-53	Arbor Wrench
2	8000-1	Curved Work Table
3	8000-2	Work Table Leg w/ Vice
4	8000-3	Work Table
5	8000-4	Work Table Leg w/o Vice
6	8000-5	Grit Guard
7	8000-6	Grit Guard Window (2)
8	8000-7	Drive Shaft 5.75" Lg
9	8000-8	Pivot Angle (2)
10	8000-9	Flange Bearing (2)
11	8000-10	Threaded Rod 1/2"
12	8000-11	Spacer Tube
13	9000-15	Shoulder Bolt 3" Lg
14	9000-14	Crank Handle
15	9000-13	Crank Base
16	8000-12	Adjusting Rod
17	8000-15	Pulley 24 Tooth
18	8000-14	Timing Belt
19	8000-13	Pulley 20 Tooth
20	8000-16	Threaded Adjusting Yoke
21	9000-25	Spring
22	8000-17	Rear Lexan Window
23	8000-18	Trunnion Adjuster
24	8000-19	Trunnion Pivot Bearing
25	8000-28	Hex-Wrench 1/8" 6"Lg
26	8000-29	Shoulder Bolt 1/2" Lg
27	8000-20	Top Body Plate
28	8000-21	Bolting Bar (6)
29	8000-22	Front Lexan Window
30	8000-23	Pivot Plate
31	9000-11	Rubber Feet (4)
32	8000-24	Bottom Body Plate
33	8000-25	Motor (1Hp 3450RPM)
34	8000-30	Grinding Wheel 1/2"Wide
35	8000-27	Arbor Spacer
36	9000-21	Spanner Wrench
37	9000-35	Grinding Wheel 1"Wide
38	9000-19	Arbor Nut
39	9000-20	Arbor



W4599 Cty Rd IW
Waldo WI 53093 USA

Phone: (920) 564-2366
Fax: (920) 564-2368

Drawn by: Erik F. Bauer

Date: Jan 7 2001

Rev: Oct 5 2005

