

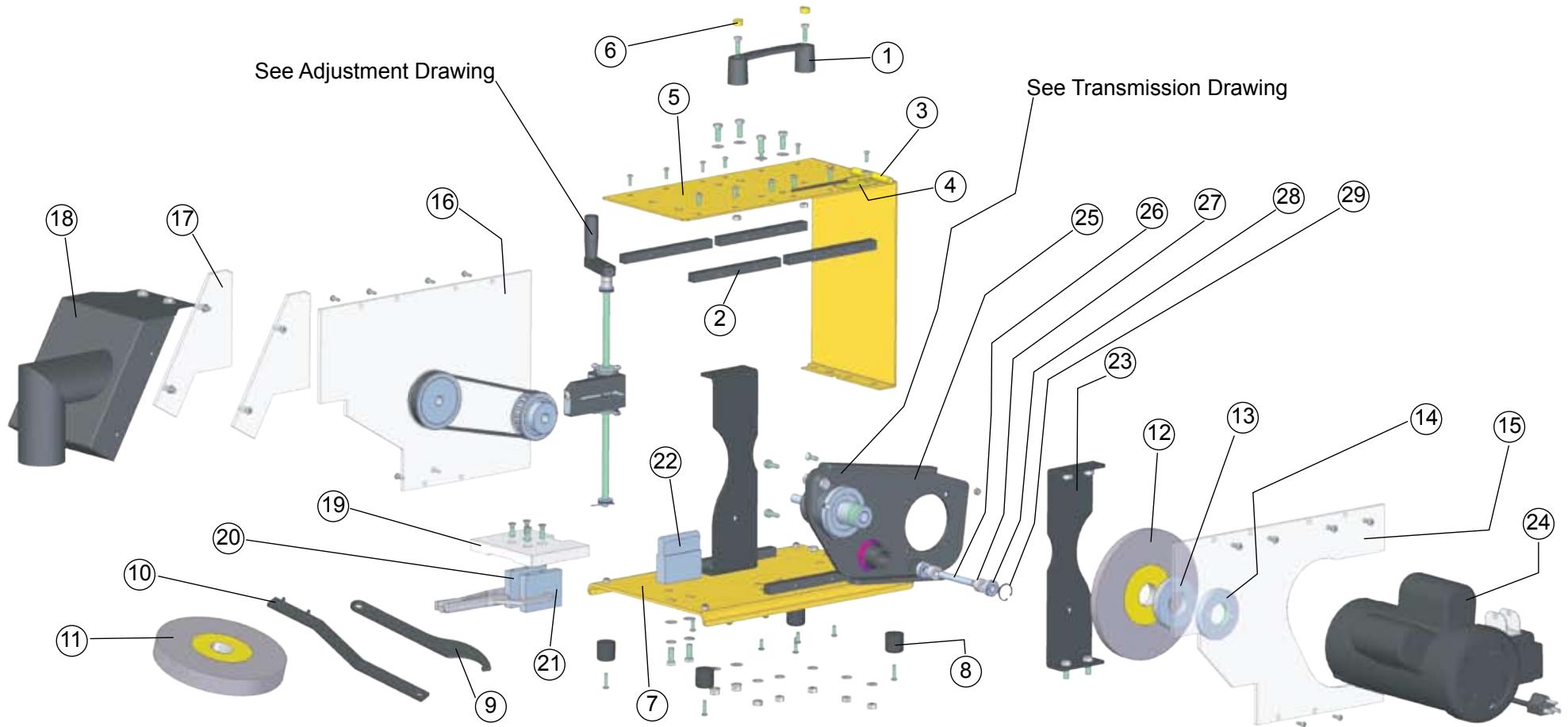


# PARTS DIAGRAM FOR:

## MAG-8000 Series Sharpener

Protected by US Patent# 6,368,196 - 6,364,750 - 6,572,448

The MAG-8000 Universal Lawn Mower Blade Sharpener is the most advanced, highest performance, most patented lawn mower blade sharpener in the outdoor power equipment (OPE/Green) industry. The MAG-8000 is able to sharpen curved (mulching) edge blades by using a 1/2" wide grinding wheel and a curved worktable that follows the curvatures of the blade. This allows the MAG-8000 to keep the same angle along the length of the cutting edge. The MAG-8000 can quickly switch back to sharpening straight (conventional) edge blades with its flat mobile worktable which clamps over the mulching blade worktable.



Magna-Matic Corporation - W4599 County Road IW - Waldo WI 53093 USA

Phone: (920) 564-2366 - FAX: (920) 564-2368 - Toll Free USA & Canada **1-800-328-1110**

<http://www.magna-matic.com> - email: [sales@magna-matic.com](mailto:sales@magna-matic.com) © Copyright 2008 All rights reserved



# PARTS KEY FOR:

## MAG-8000 Series Sharpener

Protected by US Patent# 6,368,196 - 6,364,750 - 6,572,448

The MAG-8000 Universal Lawn Mower Blade Sharpener is the most advanced, highest performance, most patented lawn mower blade sharpener in the outdoor power equipment (OPE/Green) industry. The MAG-8000 is able to sharpen curved (mulching) edge blades by using a 1/2" wide grinding wheel and a curved worktable that follows the curvatures of the blade. This allows the MAG-8000 to keep the same angle along the length of the cutting edge. The MAG-8000 can quickly switch back to sharpening straight (conventional) edge blades with its flat mobile worktable which clamps over the mulching blade worktable.

Key #	Part #	Description
1	9000-58	Carry handle
2	8000-21	Bolting bar (x6)
3	8000-28	T-handle hex wrench 1/8" x 6" long
4	8000-28a	Hanger for hex wrench
5	8000-20	Top plate
6	9000-58	Carry handle plug (specify color x2)
7	8000-24	Bottom plate
8	9000-11	Rubber bumper (x4)
9	9000-53	Arbor wrench
10	9000-21	Spanner wrench
11	9000-35	1" wide "J" hardness grinding wheel
12	8000-30	1/2" wide "J" hardness grinding wheel
13	8000-27	Arbor spacer (required for use with 1/2" wide grinding wheel)
14	9000-19	Arbor nut
15	8000-22	Lexan guard (motor-side)
16	8000-17	Lexan guard (pulley-side)
17	8000-06	Lexan grit guard window (x2)
18	8000-05	Grit guard
19	8000-03	Flat plastic worktable
20	8000-04	Worktable leg without vice grip
21	8000-02	Worktable leg with vice grip
22	8000-01	Rounded worktable
23	8000-45	Pivot angle full-height (x2)
24	8000-25	1 HP motor
25	8000-23	Pivot plate
26	8000-36	Pivot shaft
27	1000-20	Bearing collar (x2)
28	1000-23	Bearing (x2)
29	1000-22	Retaining ring (x2)

### MAG-8000 Adjustment Parts Key

Key #	Part #	Description
40	H-37N200KSS	Shoulder bolt for crank handle
41	9000-14	Crank handle
42	9000-13	Crank base
43	H-37CNFZ	3/8-16 zinc nut (x2)
44	8000-46	Adjustment block
45	8000-49	Threaded adjusting rod
46	8000-70	Flange for felt washer (x2)
47	8000-52	Felt washer (x2)
48	8000-47	Cam-follower
49	8000-62	Cover for adjustment block
50	H-18FNINFZ	10-32 nylon insert nut
51	H-18N50SPT	10x1/2" machine screw (x7)
52	H-37WFZ	3/8" flat washer (x4)
53	9000-37	Thrust bearing (x2)
54	H-Cotter pin	Cotter pin

### MAG-8000 Transmission Parts Key

Key #	Part #	Description
70	8000-14	Timing belt
71	8000-13	20 Tooth pulley
72	8000-15	24 Tooth pulley
73	8000-09	Flange bearing (x2)
74	8000-07	Drive shaft
75	9000-20	Arbor

Magna-Matic Corporation - W4599 County Road IW - Waldo WI 53093 USA

Phone: (920) 564-2366 - FAX: (920) 564-2368 - Toll Free USA & Canada **1-800-328-1110**

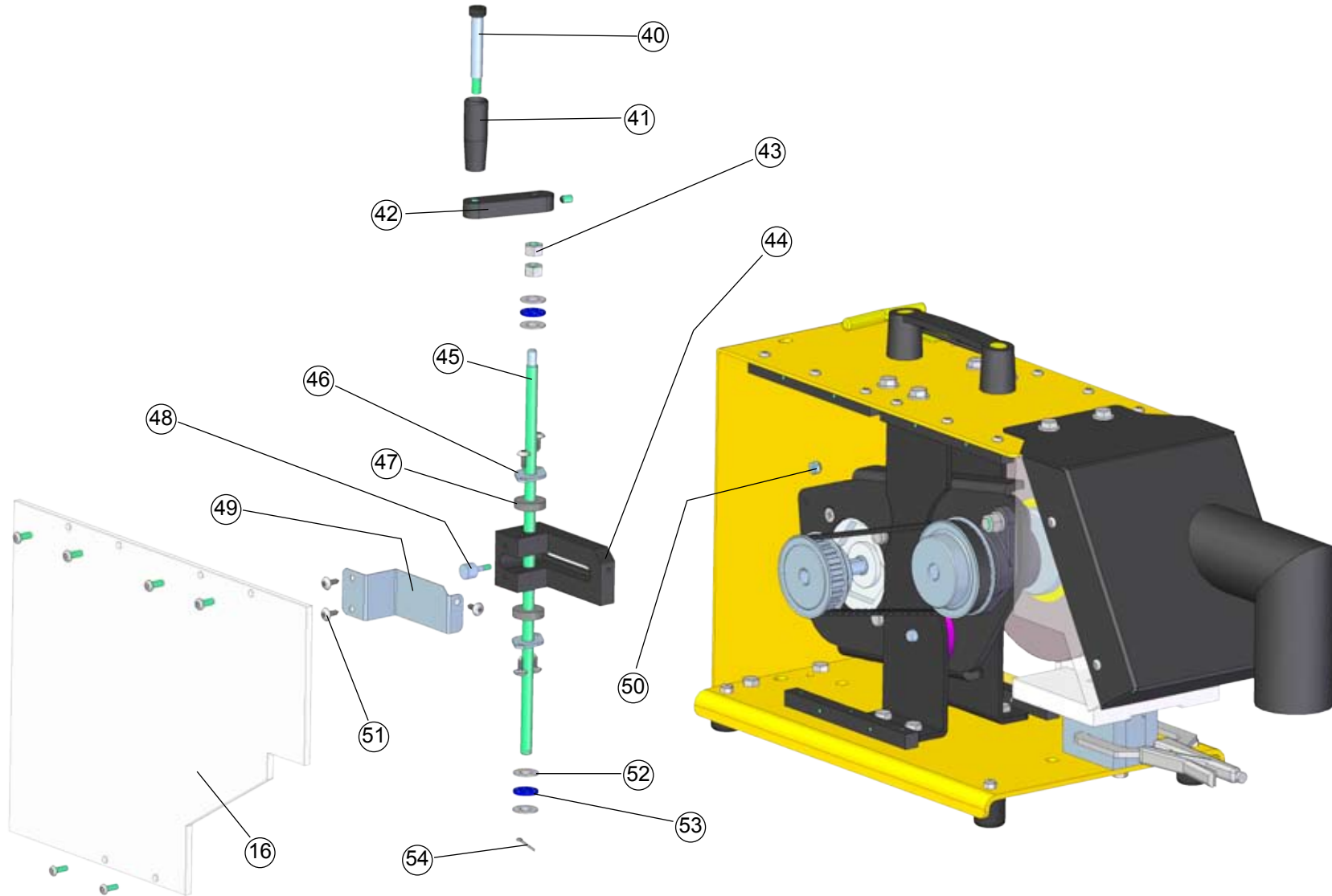
<http://www.magna-matic.com> - email: [sales@magna-matic.com](mailto:sales@magna-matic.com) © Copyright 2008 All rights reserved



# PARTS DIAGRAM FOR: MAG-8000 Series Sharpener

Protected by US Patent# 6,368,196 - 6,364,750 - 6,572,448

The MAG-8000 Universal Lawn Mower Blade Sharpener is the most advanced, highest performance, most patented lawn mower blade sharpener in the outdoor power equipment (OPE/Green) industry. The MAG-8000 is able to sharpen curved (mulching) edge blades by using a 1/2" wide grinding wheel and a curved worktable that follows the curvatures of the blade. This allows the MAG-8000 to keep the same angle along the length of the cutting edge. The MAG-8000 can quickly switch back to sharpening straight (conventional) edge blades with its flat mobile worktable which clamps over the mulching blade worktable.



Magna-Matic Corporation - W4599 County Road IW - Waldo WI 53093 USA

Phone: (920) 564-2366 - FAX: (920) 564-2368 - Toll Free USA & Canada **1-800-328-1110**

<http://www.magna-matic.com> - email: [sales@magna-matic.com](mailto:sales@magna-matic.com) © Copyright 2008 All rights reserved

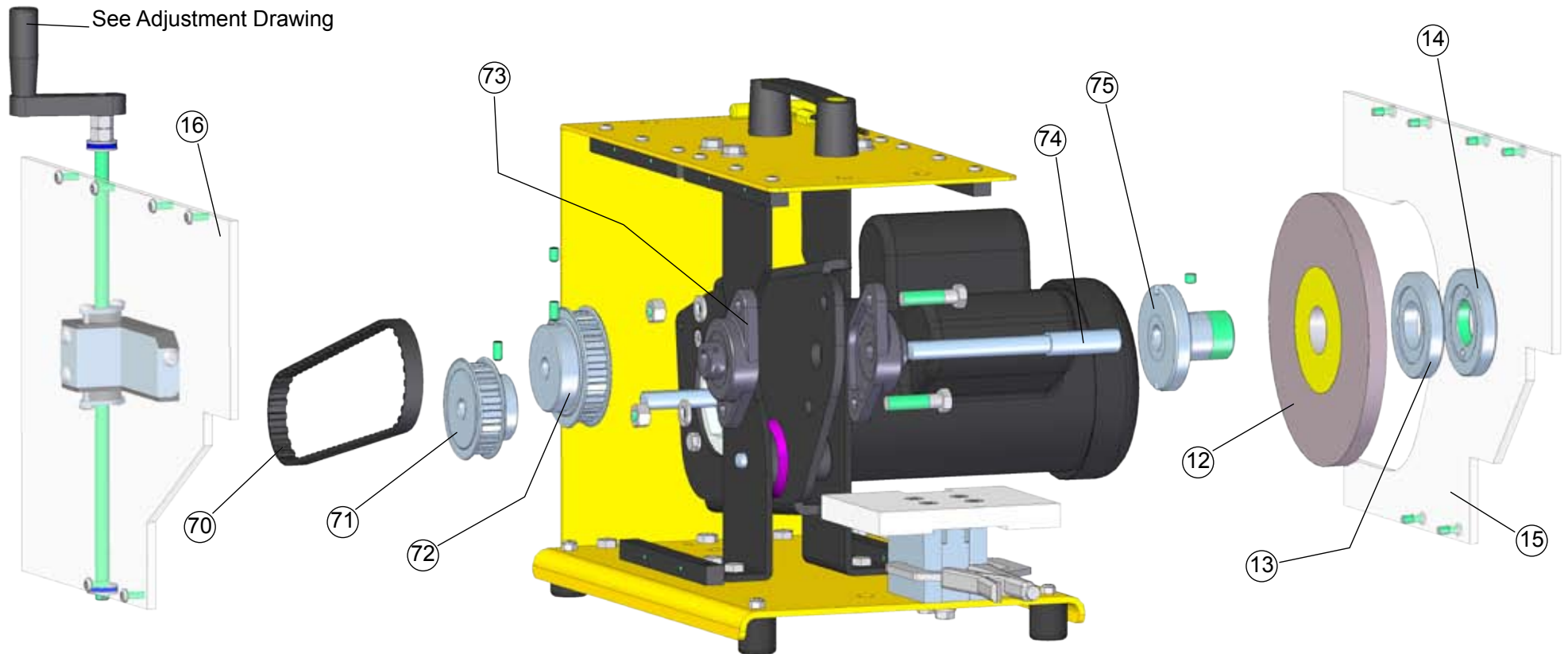


# PARTS DIAGRAM FOR:

## MAG-8000 Series Sharpener

Protected by US Patent# 6,368,196 - 6,364,750 - 6,572,448

The MAG-8000 Universal Lawn Mower Blade Sharpener is the most advanced, highest performance, most patented lawn mower blade sharpener in the outdoor power equipment (OPE/Green) industry. The MAG-8000 is able to sharpen curved (mulching) edge blades by using a 1/2" wide grinding wheel and a curved worktable that follows the curvatures of the blade. This allows the MAG-8000 to keep the same angle along the length of the cutting edge. The MAG-8000 can quickly switch back to sharpening straight (conventional) edge blades with its flat mobile worktable which clamps over the mulching blade worktable.



Magna-Matic Corporation - W4599 County Road IW - Waldo WI 53093 USA

Phone: (920) 564-2366 - FAX: (920) 564-2368 - Toll Free USA & Canada **1-800-328-1110**

<http://www.magna-matic.com> - email: [sales@magna-matic.com](mailto:sales@magna-matic.com) © Copyright 2008 All rights reserved